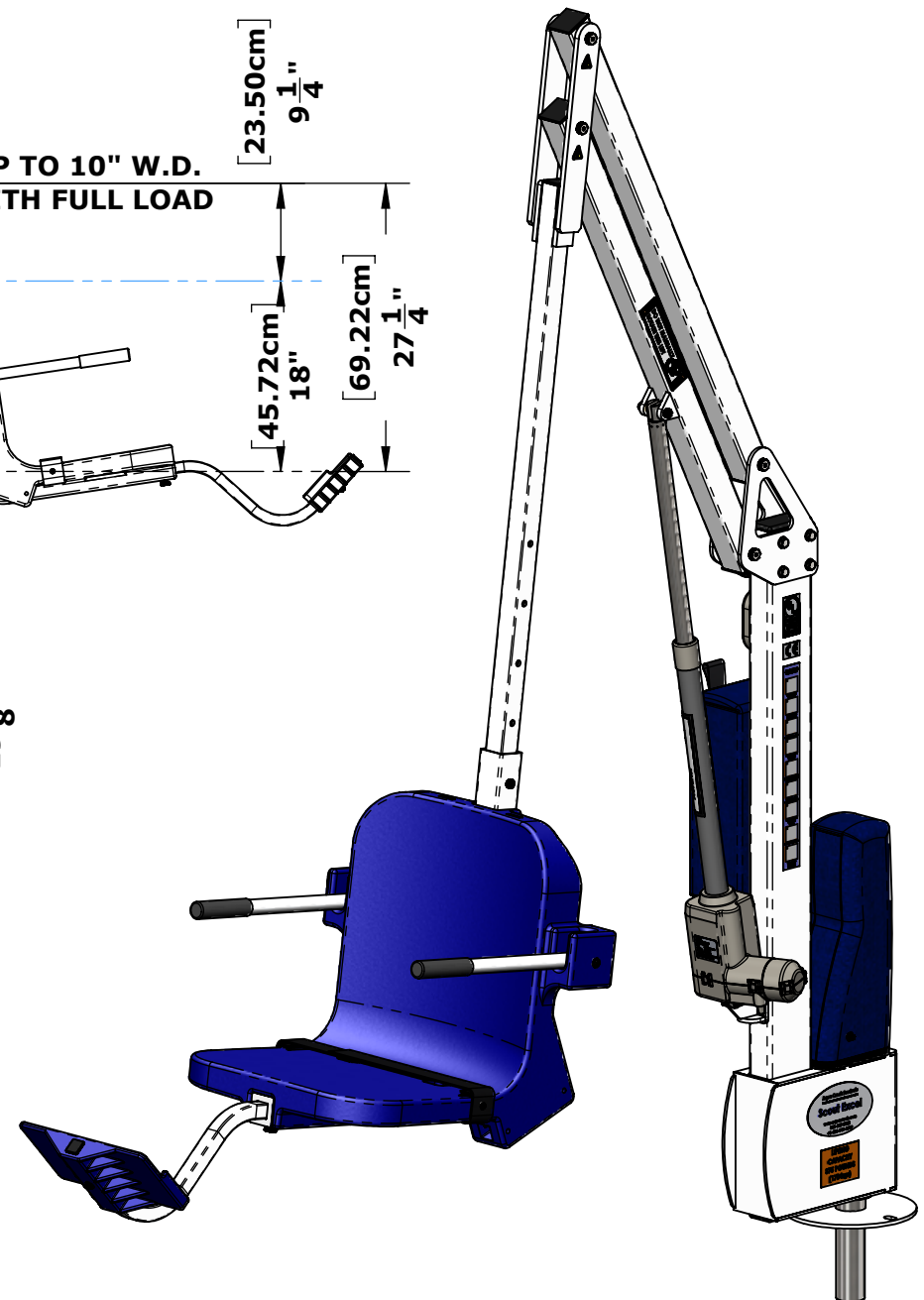
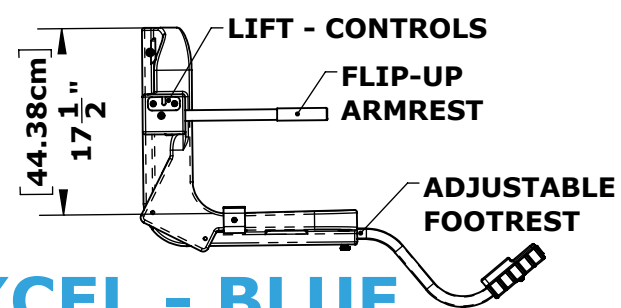
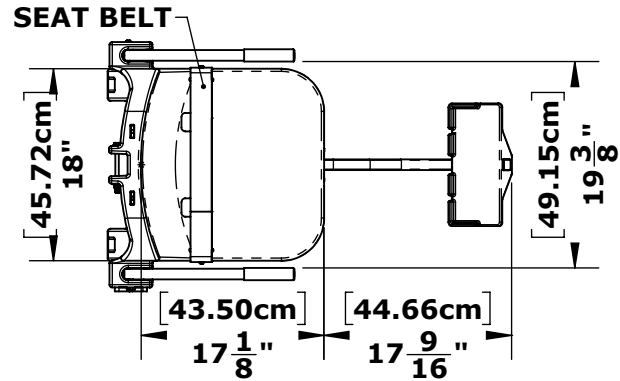
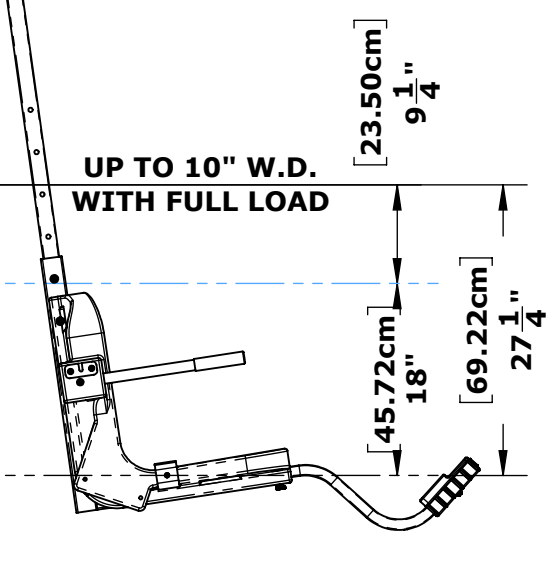
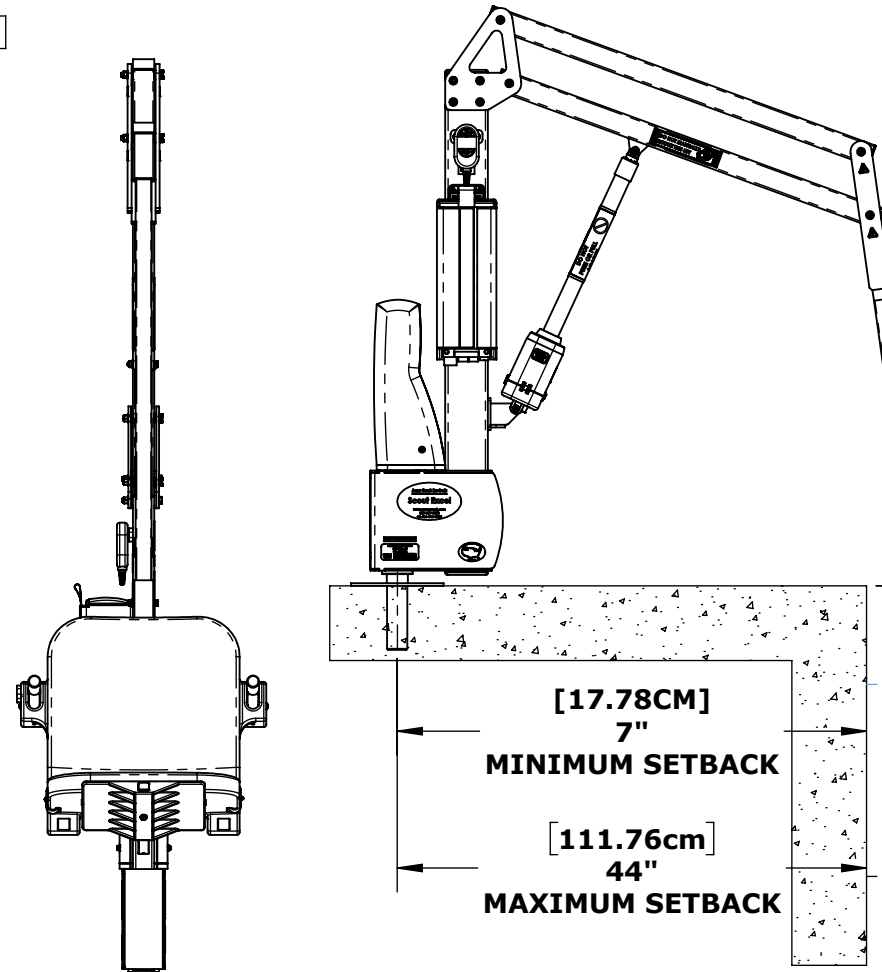
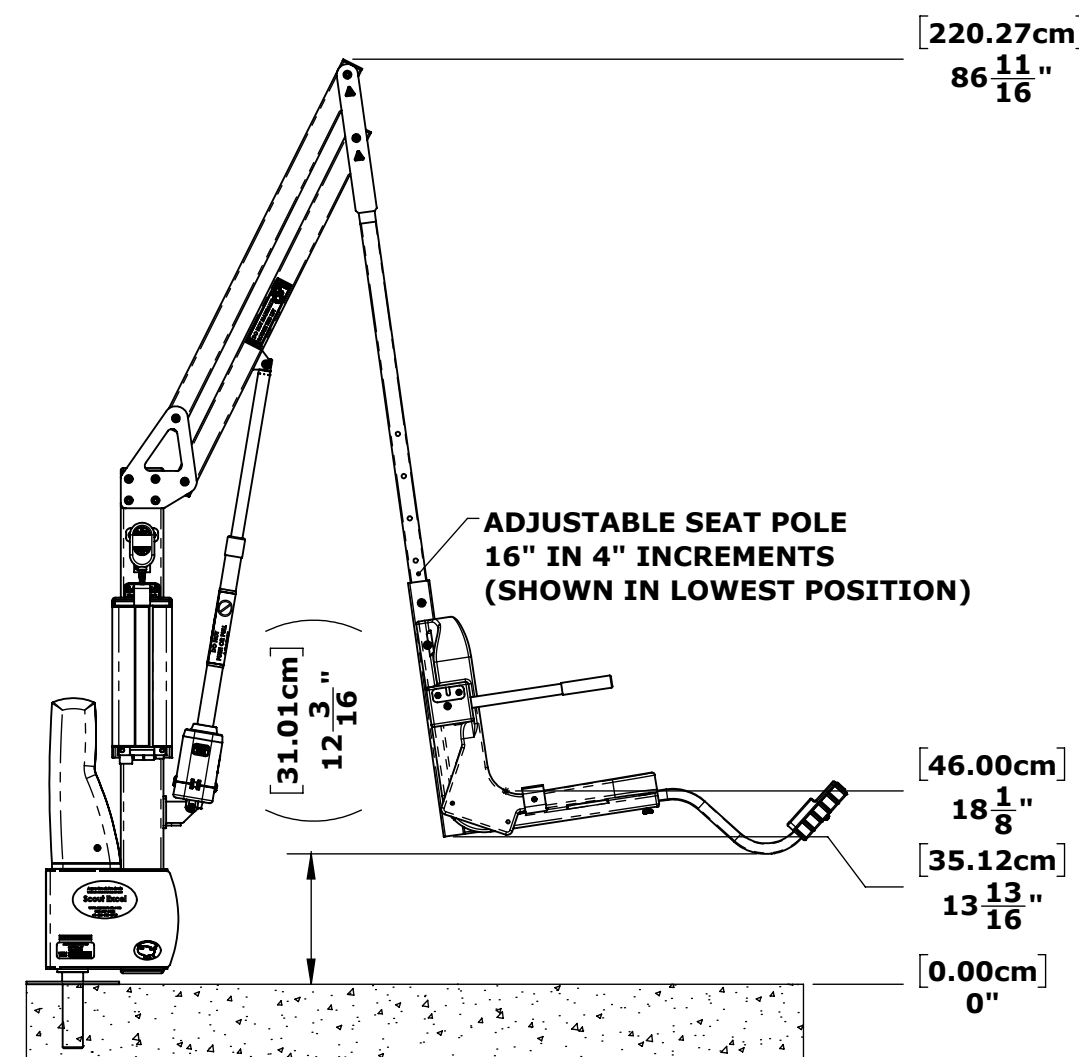


### FEATURES

- ◆ UL CERTIFIED ◆ 375 LB. (170 kg.) WEIGHT CAPACITY ◆ SETBACK RANGE 7" TO 44" (18 - 111 cm) ◆ CLEARANCES VARY BY WALL HEIGHT & WIDTH ◆ WATER DRAFT 10" ◆ 360° ROTATION ◆ FLIP UP ARMREST ◆ ALL STAINLESS STEEL CONSTRUCTION ◆ DURABLE POWDER COAT FINISH ◆ RECHARGEABLE BATTERY & WALL MOUNT CHARGER ◆ FIVE YEAR STRUCTURAL WARRANTY ◆ FIVE YEAR PRO-RATED ELECTRONICS WARRANTY

**CLICK HERE TO VIEW THIS PRODUCT:**  
<https://aquacreekproducts.com>



**TOLERANCES**  
DIMENSIONS ARE IN INCHES UNLESS OTHERWISE SHOWN  
FRACTIONAL: ..... ±1/16  
ANGULAR: ..... ±1°  
TWO PLACE DECIMAL: .... ±.01  
THREE PLACE DECIMAL: .. ±.005

## SCOUT EXCEL - BLUE

### F-SCTXL

### PART NO. INV02394

MATERIAL: 304 STAINLESS STEEL  
FINISH: POWDER COAT - WHITE  
APPROX. WEIGHT: 193.97 LBS.



9889 GARRYMORE LANE  
MISSOULA, MT 59808  
(406) 549-0769  
FAX (406) 549-2602  
www.AquaCreek.com

PROPRIETY AND CONFIDENTIAL INFORMATION

THIS DRAWING AND ALL INFORMATION CONTAINED HEREIN IS THE SOLE PROPERTY OF AQUA CREEK PRODUCTS LLC. ANY REPRODUCTION IN PART OR AS A WHOLE WITHOUT WRITTEN PERMISSION FROM AQUA CREEK IS PROHIBITED.

\*SPECIFICATIONS ARE SUBJECT TO CHANGE WITHOUT NOTICE

REVISIONS			
REV.	DESCRIPTION	DATE	APPROVED
P1	INITIAL RELEASE	3/30/2021	J.MAXWELL
P2	ENCLOSED LOWER CASING	2/28/2022	J.MAXWELL

SCOUT EXCEL - BLUE - INV02394

51-163-220

SCALE 1:18

SHEET 1